

24" STAINLESS GLASS DOOR BEVERAGE CENTER

TUBADA-24-LG/RG-A~S

TUBADA-24-RG-A~S (Right hinged, standard)

TUBADA-24-LG-A~S (Left hinged, special order)

FEATURES

- 32" height allows for installation under ADA-compliant counter top
- Articulating, soft close hinge allows fully integrated, flexible installations
- Field-reversible hinge allows for flexibility in the field
- Sleek black aluminum interior
- Black powder coated steel exterior
- One pull-out PVC coated wire wine rack and one floor wine cradle for storage of 12 total bottles
- Forced air refrigeration system which maintains 33°– 41°F (0.5°– 5°C)
- Environmentally friendly R600a refrigerant
- Concealed digital temperature controls allows for precise temperature management
- White LED lighting illuminates your product
- UL-rated for outdoor use
- Unit comes standard with 4 adjustable leg levelers
- Lock standard on stainless steel models
- NSF/ANSI Standard 7 compliant for packaged food product

ORGANIZATION

- Two adjustable heavy-duty PVC coated black wire shelves allow for adjustable organization options
 - Shelf dimensions: 19⁵/₈" W x 17" L
- One pull-out PVC coated wire wine rack for storage of 7 bottles
 - Shelf dimensions: 17⁷/₁₆" W x 16⁷/₈" L
- One floor wine cradle for storage of 5 bottles

BUILD YOUR TRUE

Customize your True with a variety of finish and hardware options at true-residential.com/custom.



TUBADA-24-RG-A~S

SPECIFICATIONS

Dimensions (w x h x d) 23⁷/₈" x 31⁷/₈" x 23¹⁵/₁₆"

Cutout Dimensions (w x h x d) 24" x 32" x 24"

Other installation options available, consult install guide

Capacity 5.0

Temperature Range 33°– 41°F (0.5°– 5°C)

Weight (lbs.) 145

Voltage 115/60/1 115/60/1 NEMA-5-15R

Amps 0.8

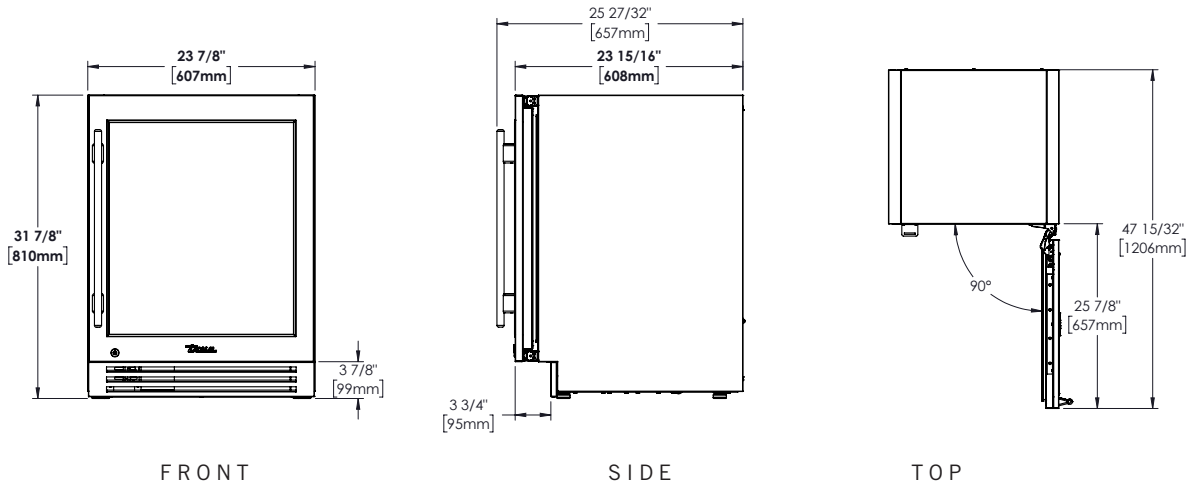
Annual Energy Consumption (kWh) 275

Power Cord Length (ft.) 10

Energy Star Rated Yes

24" STAINLESS GLASS DOOR BEVERAGE CENTER

TUBADA-24-LG/RG-A~S



OPENING DIMENSIONS



MODEL OPTIONS

MODEL	FINISH
TUBADA-24-LG-A~S	Stainless glass door, left hinged
TUBADA-24-RG-A~S	Stainless glass door, right hinged

Overlay panel version also available

ACCESSORIES (OPTIONAL)

- 2 1/2" legs
- 6" toe kick

WARRANTY

- 2 year full – parts & labor
- 5 year sealed system – parts & labor