

24" OVERLAY READY DOOR UNDERCOUNTER FREEZER

TUF-24-R/L-OP-C

TUF-24-R-OP-C (Right hinged)

TUF-24-L-OP-C (Left hinged)

FEATURES

- Environmentally friendly, R600a hydrocarbon refrigerant that improves performance and efficiency while ensuring quiet operation.
- Industry exclusive, 300-series stainless steel interior.*
- Zero-clearance hinging allows for integrated installation.
- Patented TruLumina® LED lighting gently illuminates your product and allows you to choose from 14 different color options with the push of a button.
- True Precision Control® with steel touch technology and readout provides digital accuracy.
- Temperature as low as -4°F.
- All undercounter models UL rated for outdoor use.
- NSF/ANSI Standard 7 compliant for packaged food product.
- Automatic defrost.

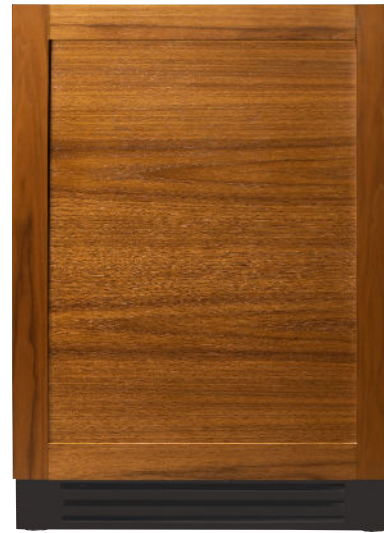
ORGANIZATION

- 2 adjustable/removable electro-polished stainless steel wire shelves.

BUILD YOUR TRUE

Customize your True with a variety of finish and hardware options at true-residential.com.

CUSTOMIZATION



SPECIFICATIONS

Dimensions* (w x h x d) 23⁷/₈" x 34¹/₄" x 23⁷/₈"

Cutout Dimensions (w x h x d) 24" x 34¹/₂" x 24"

Standard Overlay Panel (w x h x d) 23⁵/₈" x 30¹/₈" x ³/₄"

Panel provided by others. Other installation options available.

Consult install guide for details.

Capacity (cu. ft.) 4.2

Temperature Range -4°F – 4°F

Weight (lbs.) 185

Voltage 115/60/1  115/60/1 NEMA-5-15R

Amps 1.8

Annual Energy Consumption (kwh) 384

Power Cord Length (ft.) 8

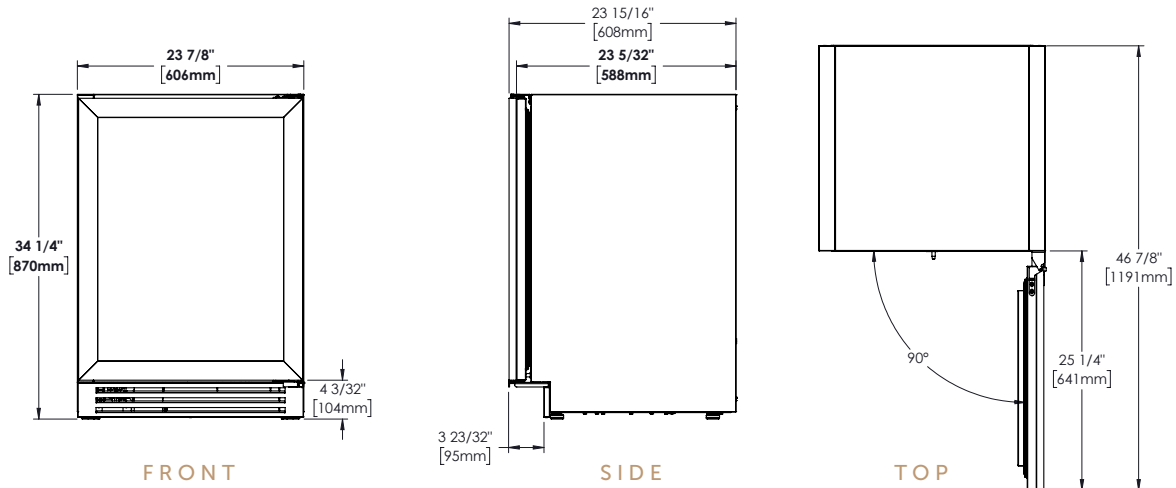
Energy Star Rated Yes

*NOTE: Overlay models have black powder coated steel exteriors.

*Dimensions may vary +/- 1/8"

24" OVERLAY READY DOOR UNDERCOUNTER FREEZER

TUF-24-R/L-OP-C – (shown with a 3/4" cabinetry panel)



OPENING DIMENSIONS



MODEL OPTIONS

| MODEL | FINISH |
|---------------|---------------------------------|
| TUF-24-R-OP-C | Overlay solid door right-hinged |
| TUF-24-L-OP-C | Overlay solid door left-hinged |

ACCESSORIES (OPTIONAL)

Anti-condensation pads

WARRANTY

- 3 year full (parts & labor)
- 6 year sealed system (parts & labor)
- 7–12 year (parts only – sealed system on registered products)

